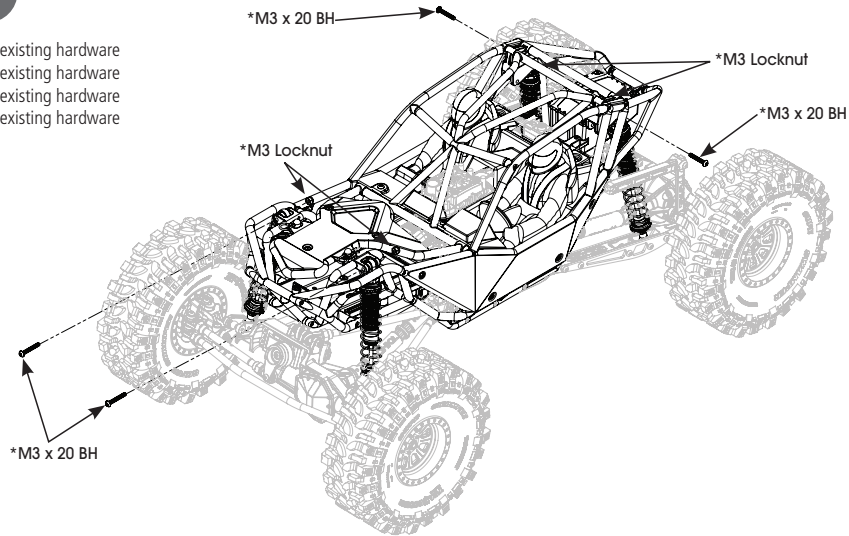


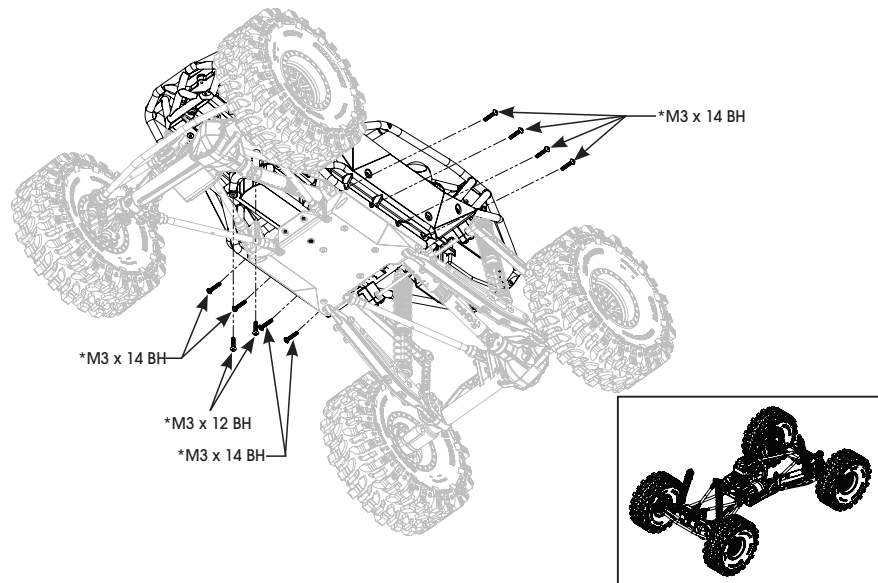
**2-SPEED TRANSMISSION CONVERSION  
2-SPEED TRANSMISSION CONVERSION  
2-SPEED TRANSMISSION CONVERSION  
2-SPEED TRANSMISSION CONVERSION**

**1**

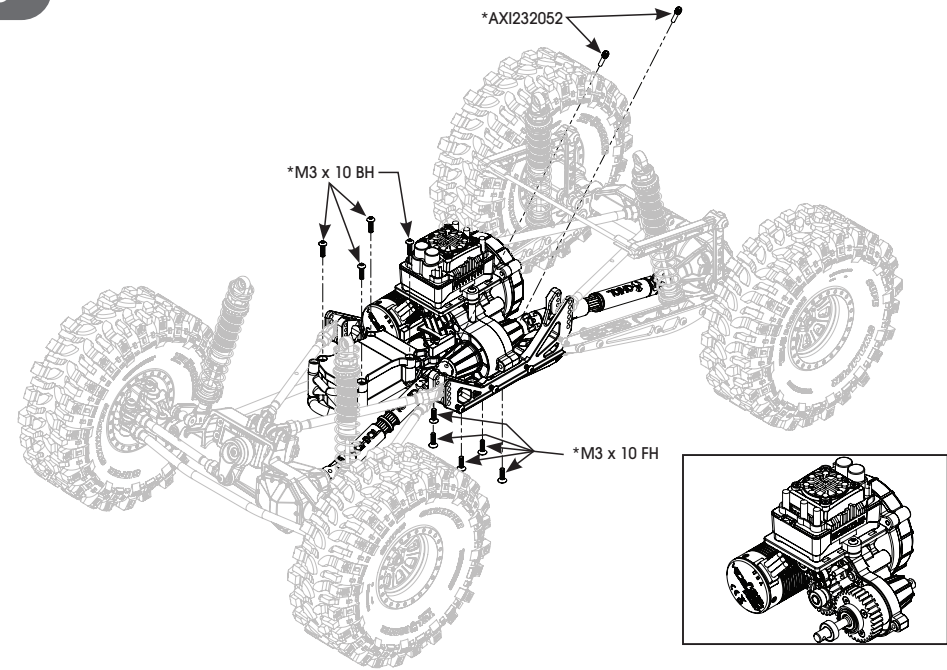
- EN \* Preexisting hardware
- DE \* Preexisting hardware
- FR \* Preexisting hardware
- IT \* Preexisting hardware



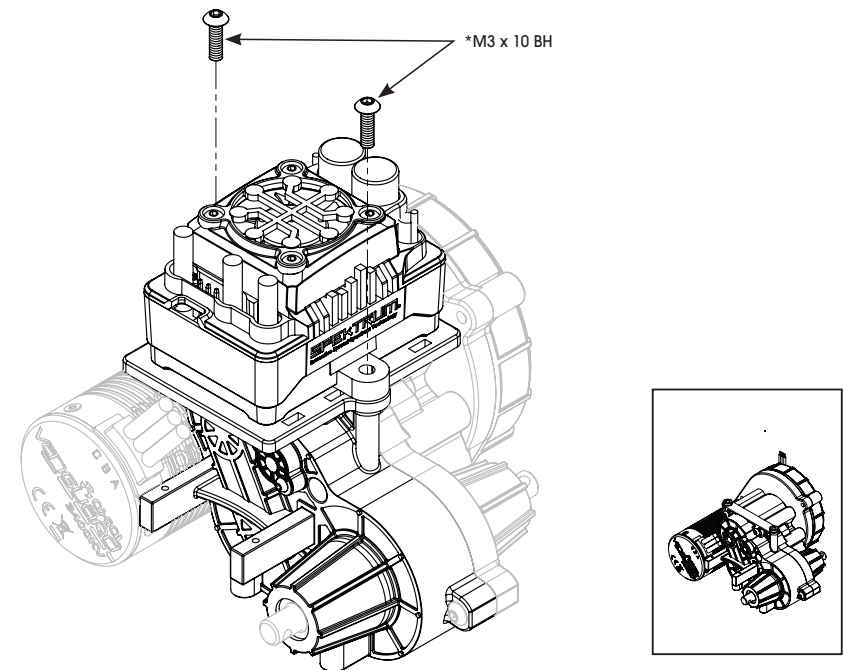
**2**



**3**

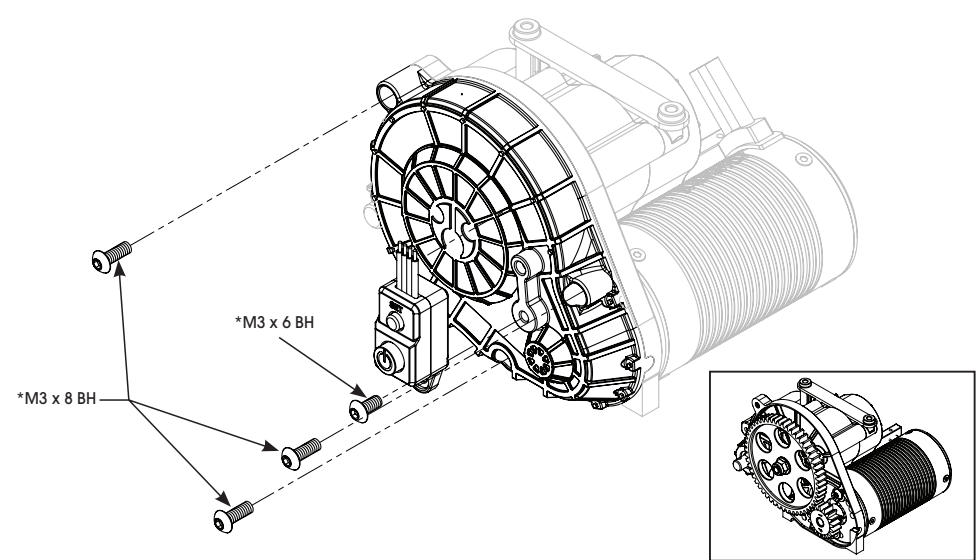


**4**

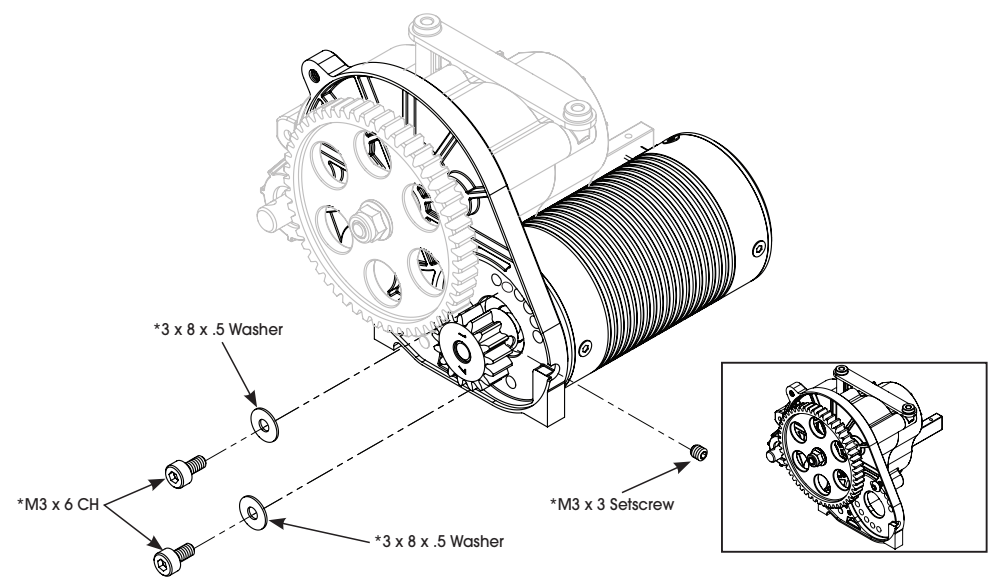




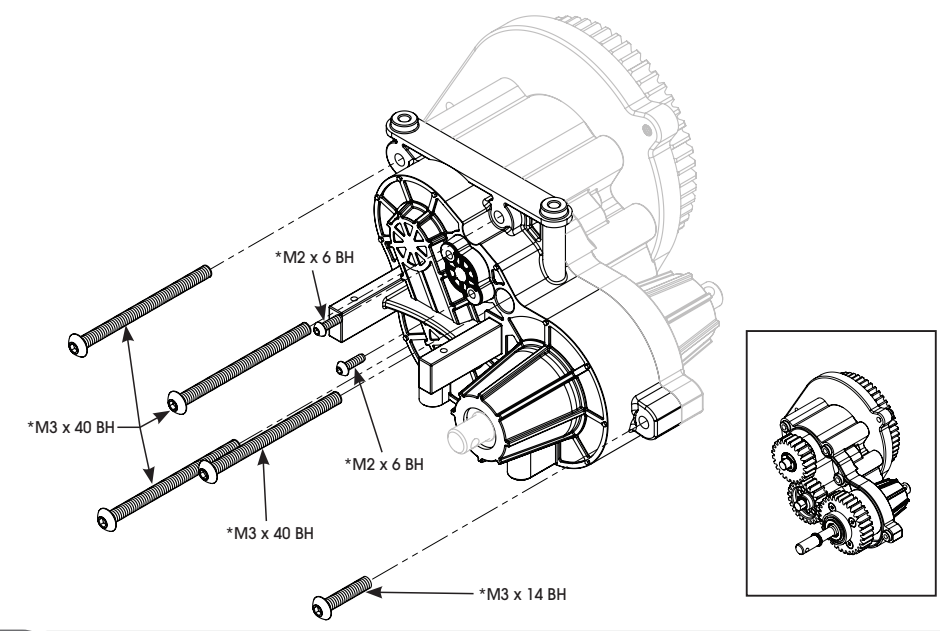
5



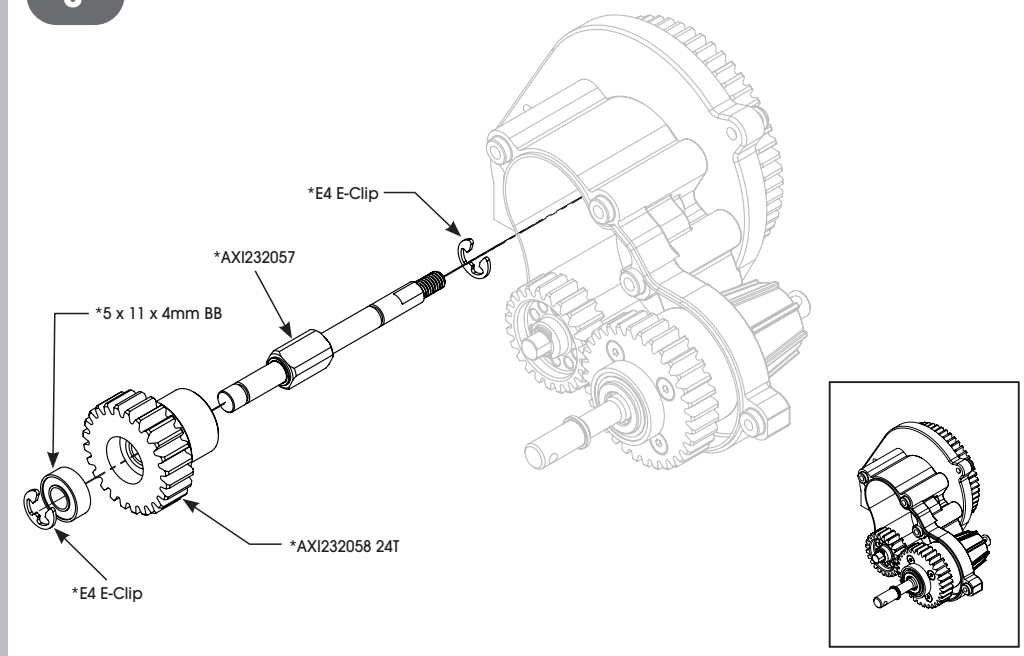
6

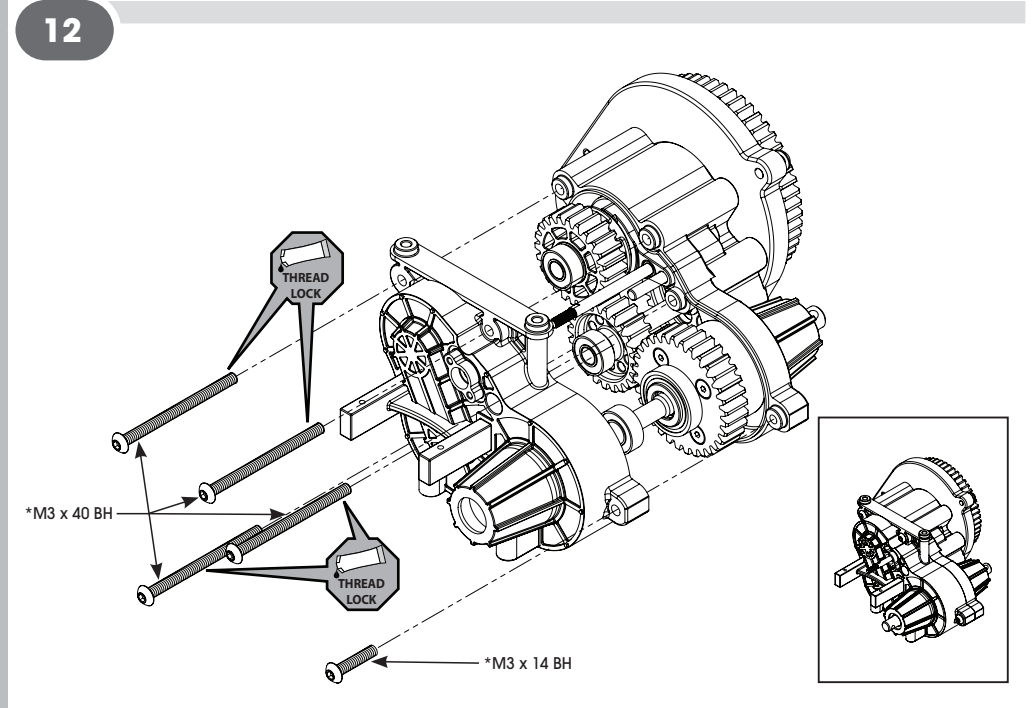
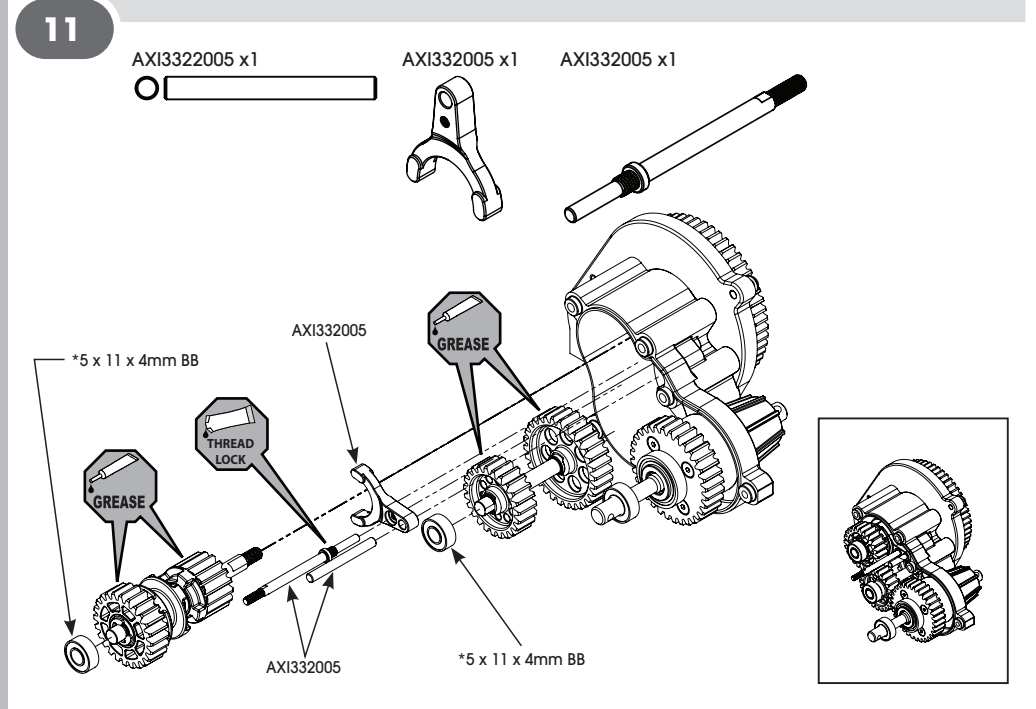
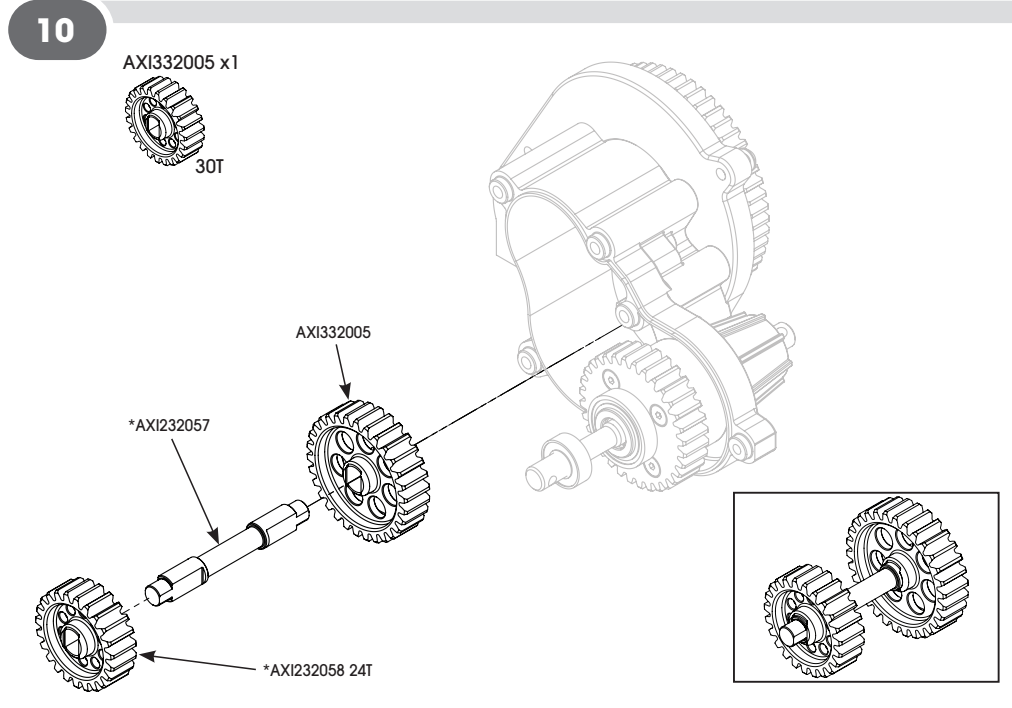
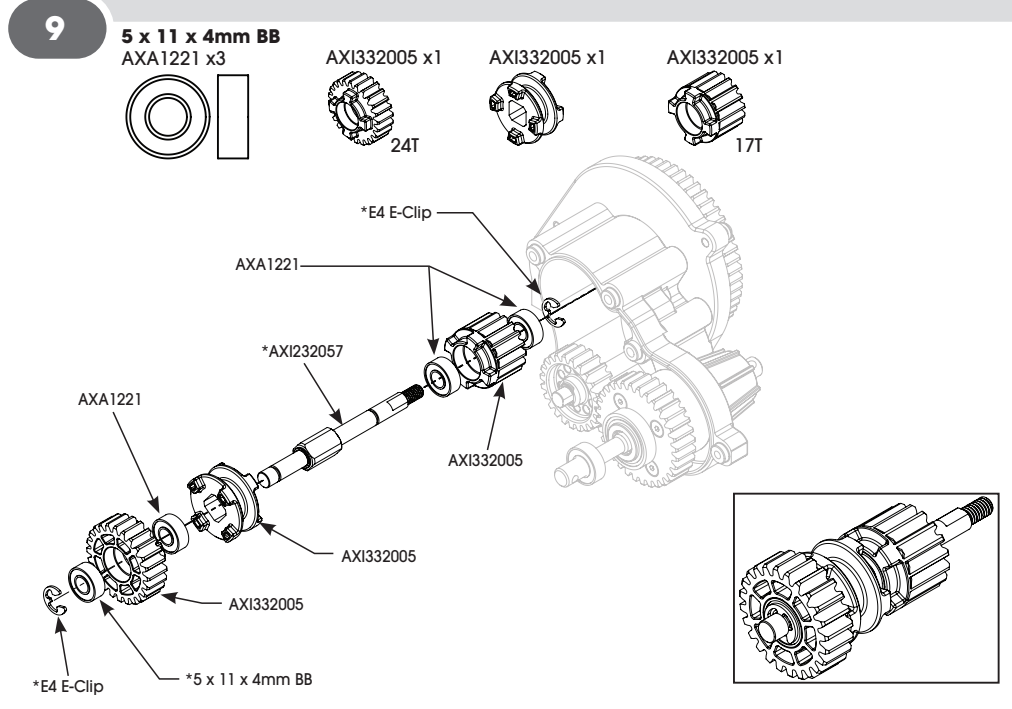


7

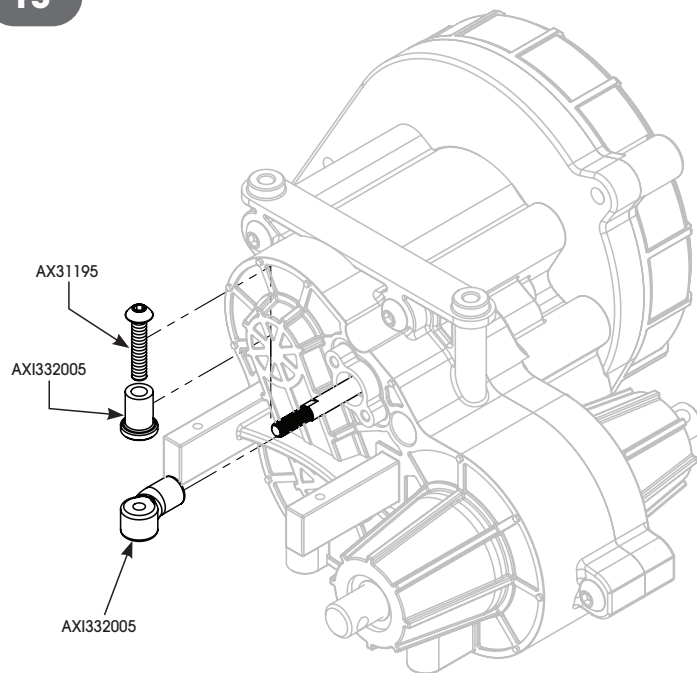


8





13



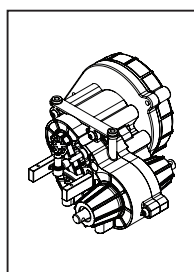
**M2.5 x 12mm BH**  
AXI332005 x1



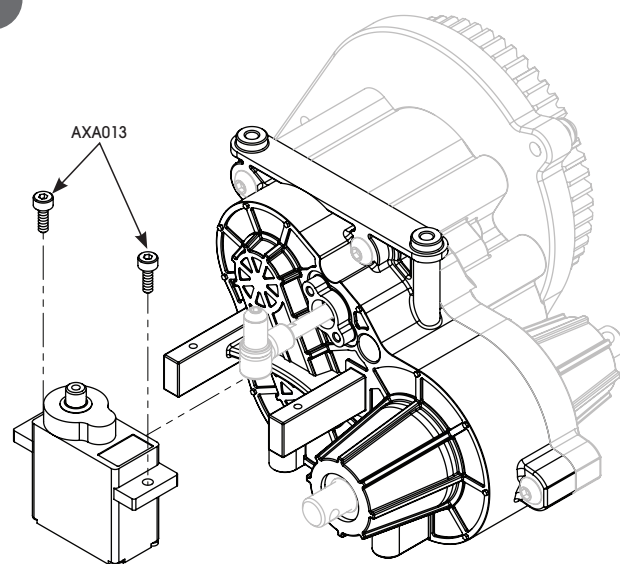
AXI332005 x1



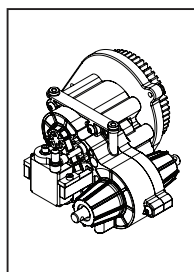
AX332005 x1



14



**M2 x 6mm CH**  
AXA013 x2

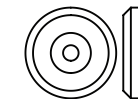


15

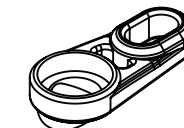
**M2.5 x 12mm FH**  
AXI31195 x1



AXI232036 x1



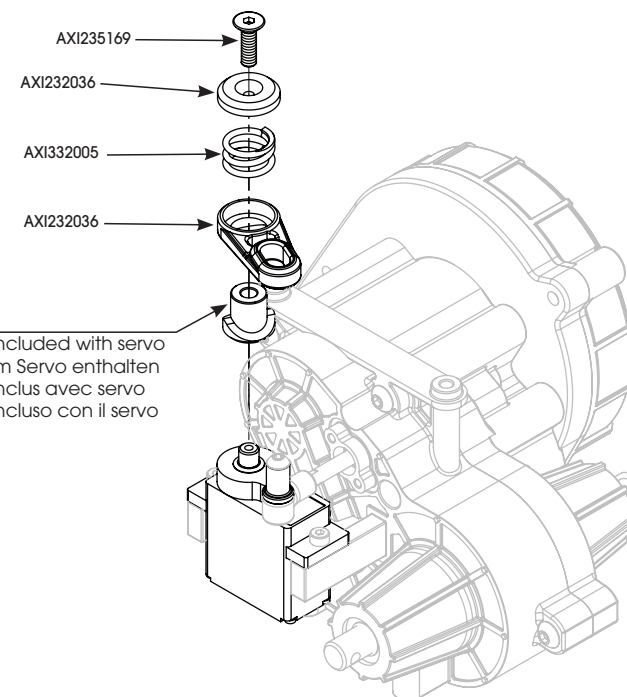
AXI232036 x1



AXI332005 x1

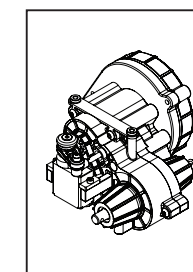


Included with servo



**EN** Included with servo  
**DE** Im Servo enthalten  
**FR** Inclus avec servo  
**IT** Incluso con il servo

**EN** Repeat steps 1-6 in reverse order to complete installation. Connect the servo to the receiver. To ensure proper shifting the end points of the servo must be set.  
**DE** Repeat steps 1-6 in reverse order to complete installation. Connect the servo to the receiver. To ensure proper shifting the end points of the servo must be set.  
**FR** Repeat steps 1-6 in reverse order to complete installation. Connect the servo to the receiver. To ensure proper shifting the end points of the servo must be set.  
**IT** Repeat steps 1-6 in reverse order to complete installation. Connect the servo to the receiver. To ensure proper shifting the end points of the servo must be set.



Created 01/2021 180016  
©2021 Horizon Hobby, LLC.  
Axial, the Axial Logo and the Horizon  
Hobby Logo are registered trademarks of  
Horizon Hobby, LLC.

**EU Manufacturer of Record:**  
Horizon Hobby, LLC  
2904 Research Road  
Champaign, IL 61822 USA

**EU Importer of Record:**  
Horizon Hobby GmbH,  
Hanskampring 9  
D 22885 Barsbüttel, Germany